

Model GA Series



APPLICATION:

Instrumentation and Metering

FREQUENCY:

50-60 Hz

INSULATION LEVEL:

0.72 kV

COMPLIANCE:

IEC 60044-1 Metering Accuracy

FEATURES:

Primary Current from 5 to 3000 amps

Secondary current 1 or 5 amp

Six sizes

Meets IEC std. 60044-1 and CE

BENEFITS:

Stepped window to fit bus bars

Touch safe terminals

Hardware for two mounting options

RATIO SUFFIX	MODEL	GA30			GA30 X 30			GA40			GA60			GA80			GA100		
	MAXIMUM BUS SIZE/QTY	30 X 10/1			30 X 10/1			40 X 10/1			60 X 10/1 60 X 6/1-2			80 X 10/1 60 X 10/1-2			100 X 10/1 80 X 10/1-2		
	ACCURACY CLASS	0.5	1	3	0.5	1	3	0.5	1	3	0.2	0.5	1.0	0.2	0.5	1.0	0.2	0.5	1.0
	Ratio	Rated Burden (VA)																	
-150	15:5 (5)*		2.5	5		2.5	5		2.5	5									
-200	20:5 (4)		2.5	5		2.5	5		2.5	5									
-250	25:5 (3)		2.5	5		2.5	5		2.5	5									
-300	30:5 (3)		2.5	5		2.5	5		2.5	5									
-400	40:5 (2)		2.5	5		2.5	5		2.5	5									
-500	50:5 (2)		2.5	5	2.5	2.5	5		2.5	5									
-600	60:5 (2)		2.5	5	2.5	2.5	5		2.5	5									
-750	75:5		2.5	5	2.5	2.5	5		2.5	5									
-101	100:5		2.5	5	2.5	5	10	2.5	2.5	5									
-151	150:5	2.5		5	2.5	5	10	2.5		5		2.5	5						
-201	200:5	5		10	5	10	20	5		10		5	10						
-251	250:5	5		10	10	10	20	5		10		5	10						
-301	300:5	5		10	10	10	20	5		10		5	10		5	10			
-401	400:5	5		10	10	10	20	5		10		5	10		5	10			
-501	500:5							10		20		10	20		10	20			
-601	600:5							10		20		10	20		10	20		10	20
-751	750:5							10		20		10	20		10	20		10	20
-801	800:5							10		20		10	20		10	20		10	20
-102	1000:5										15	20	15	20	15	20	15	20	
-122	1200:5										20	30	20	30	20	30	20	30	
-152	1500:5										20	30	20	30	20	30	20	30	
-202	2000:5										40	40	40	40	40	40	40	40	
-252	2500:5												40	40	40	40	40	40	
-302	3000:5																40	40	

* Number of primary turns

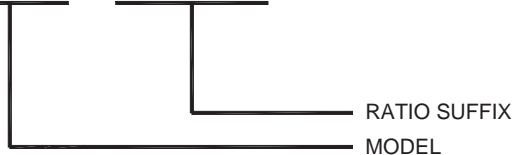
Model GA Series

RATIO SUFFIX	MODEL	GA30			GA30 X 30			GA40			GA60			GA80			GA100		
	MAXIMUM BUS SIZE/QTY ACCURACY CLASS	30 X 10/1			30 X 10/1			40 X 10/1			60 X 10/1 60 X 6/1-2			80 X 10/1 60 X 10/1-2			100 X 10/1 80 X 10/1-2		
	Ratio	0.5	1	3	0.5	1	3	0.5	1	3	0.2	0.5	1.0	0.2	0.5	1.0	0.2	0.5	1.0
		Rated Burden (Ω)																	
-50 -1	5:1 (3)*		0.1	0.2															
-100 -1	10:1 (2)*		0.1	0.2															
-150 -1	15:1		0.1	0.2															
-200 -1	20:1		0.1	0.2															
-250 -1	25:1		0.1	0.2															
-300 -1	30:1	0.1		0.2		0.2	0.4	0.1		0.2									
-400 -1	40:1	0.1		0.2		0.4	0.8	0.1		0.2									
-500 -1	50:1	0.2		0.4		0.4	0.8	0.2		0.4									
-600 -1	60:1	0.2		0.4		1	2	0.2		0.4									
-750 -1	75:1	0.2		0.4		1	2	0.2		0.4		0.2	0.4						
-101 -1	100:1	0.2		0.4		2.5	5	0.2		0.4		0.2	0.4						
-151 -1	150:1	2.5		5	2.5	5	7.5	2.5		5		2.5	5		2.5	5			
-201 -1	200:1	5		7.5	5	10	10	5		7.5		5	7.5		5	7.5		5	7.5
-251 -1	250:1	5		7.5	5	10	10	5		7.5		5	7.5		5	7.5		5	7.5
-301 -1	300:1	5		7.5	5	10	10	5		7.5		5	7.5		5	7.5		5	7.5
-401 -1	400:1				10		10	10		10		10	10		10	10		10	10
-501 -1	500:1							10		10		10	10		10	10		10	10
-601 -1	600:1							10		10		10	10		10	10		10	10
-751 -1	750:1							10		10		10	10		10	10		10	10
-801 -1	800:1							10		10		10	10		10	10		10	10
-102 -1	1000:1											10	10		10	10		10	10
-152 -1	1500:1											20		20	20		20	20	20
-202 -1	2000:1											20		20	20		20	20	20
-252 -1	2500:1																20		20
-302 -1	3000:1																20		20

* Number of primary turns

PART NUMBER:

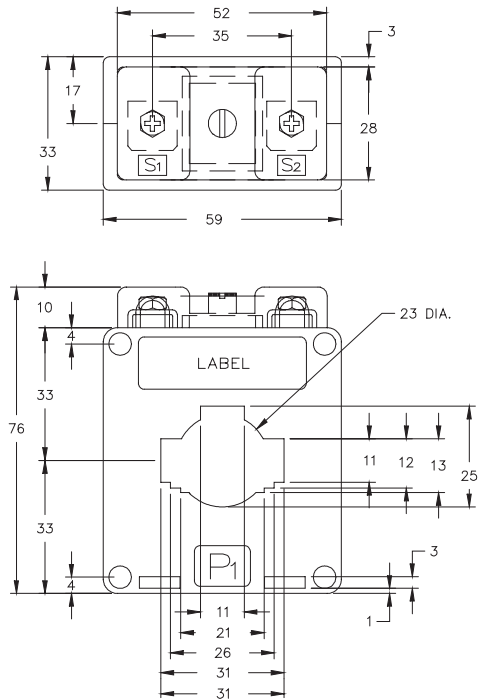
GA60 - 801 - 1



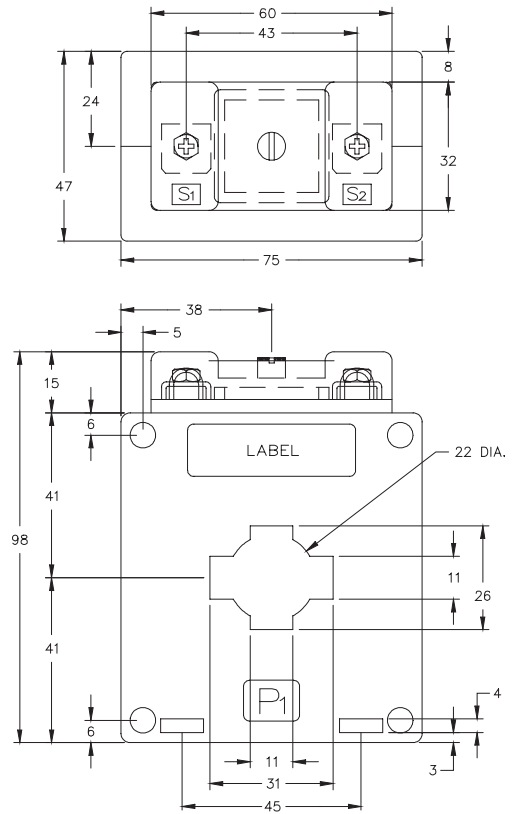
EXAMPLES: PART# GA30-101-1 IS A MODEL GA30, 100:1 CURRENT TRANSFORMER
 PART# GA30X30-300 IS A MODEL GA30X30, 30:5 CURRENT TRANSFORMER

Model GA Series

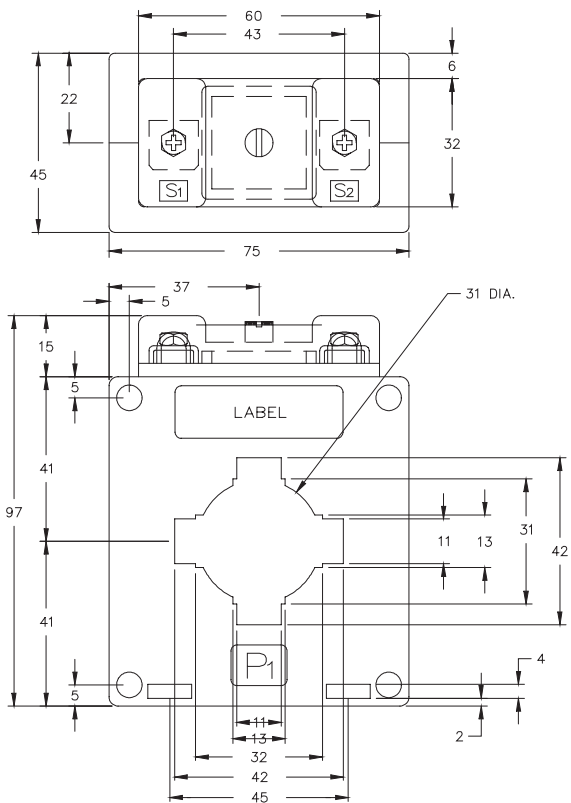
Model GA30



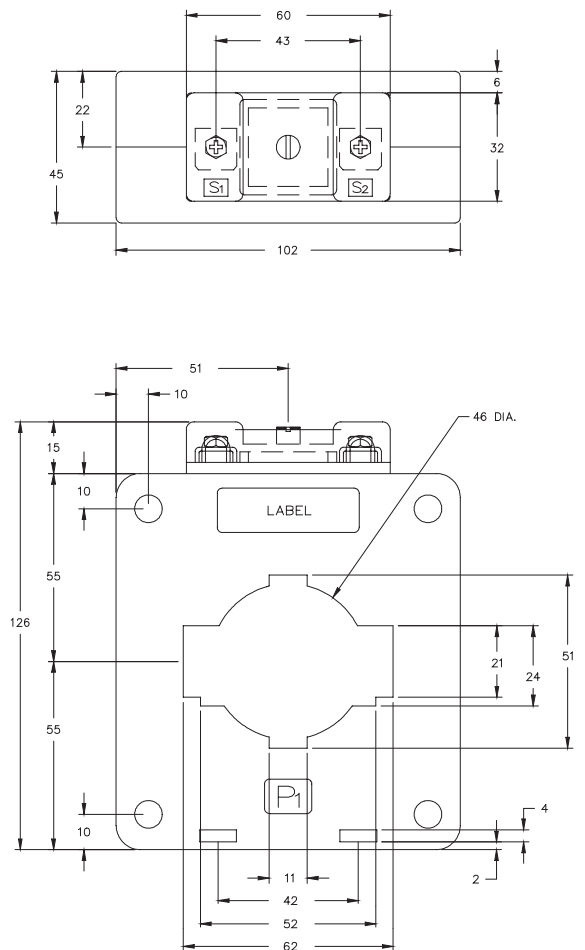
Model GA30X30



Model GA40



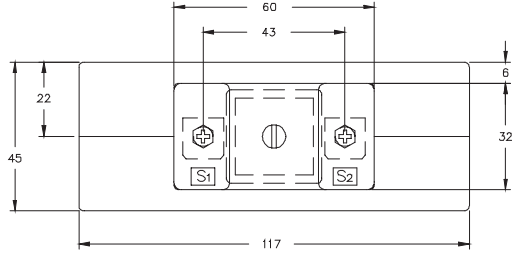
Model GA60



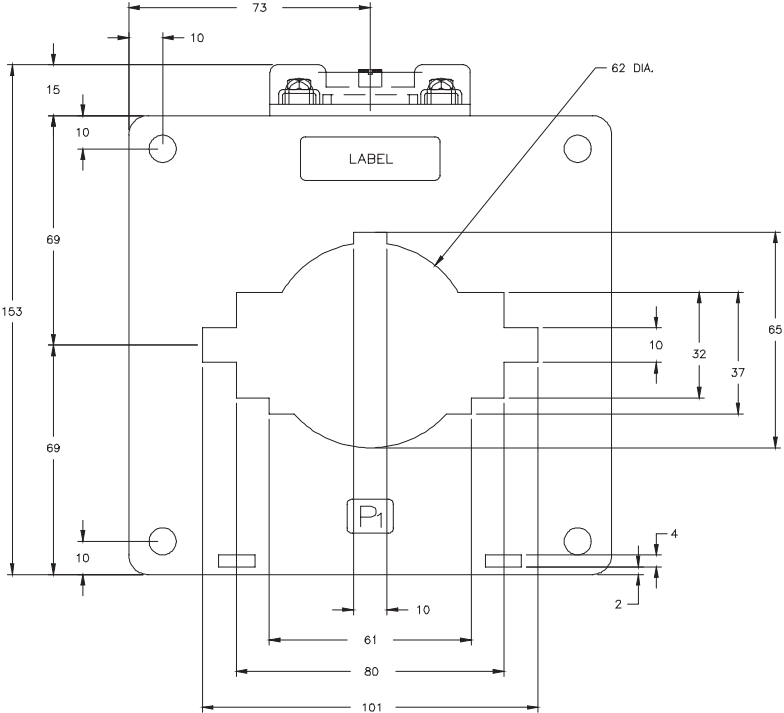
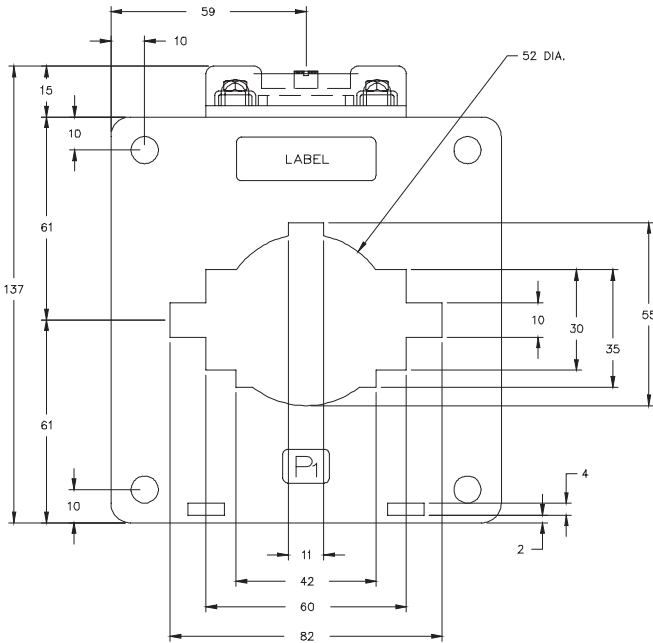
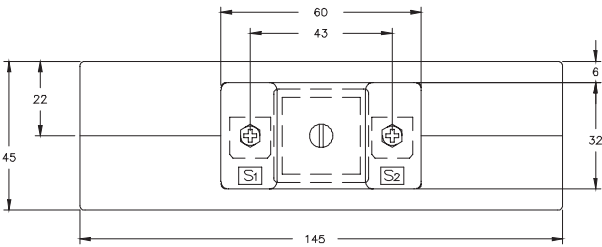
Dimensions in millimeters

Model GA Series

Model GA80



Model GA100



Dimensions in millimeters