

CURRENT TRANSFORMER

Model 3P85

Window Diameter 2.08"

APPLICATION:
3 phase relay, metering and motor overload protection.

FREQUENCY:
50–400 Hz.

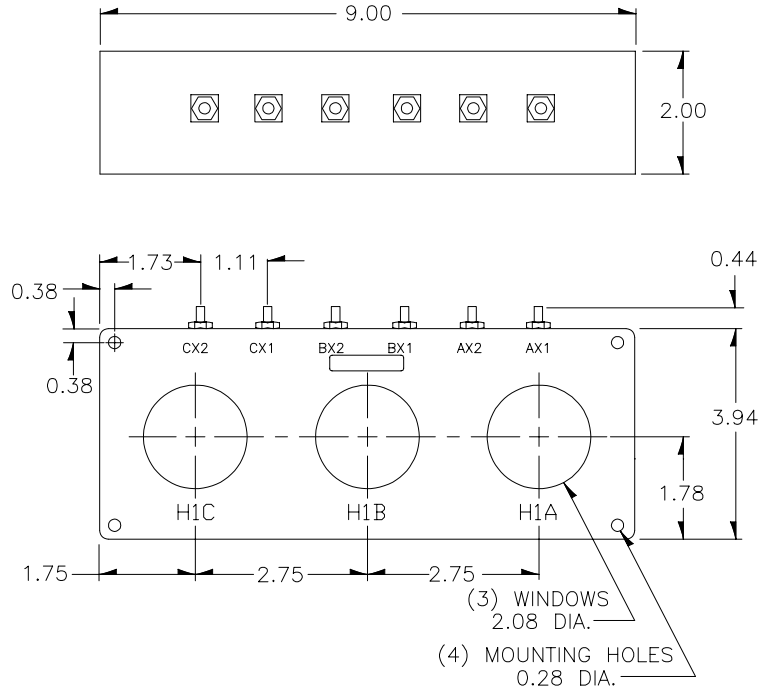
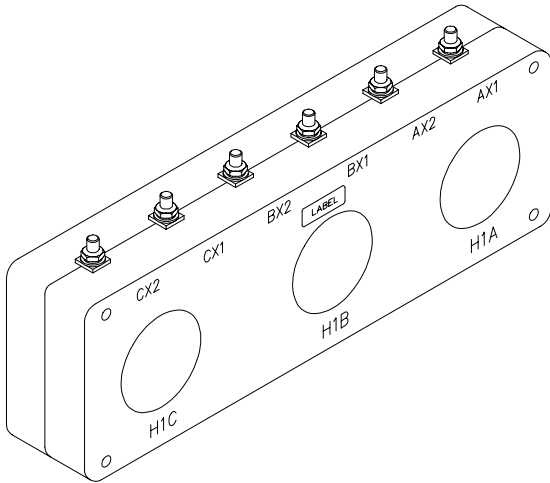
INSULATION LEVEL:
600 Volt, 10 kV BIL full wave.

- Terminals are brass studs No.8–32 with one flatwasher, lockwasher and regular nut.
- Flexible leads UL 1015 105°C., CSA approved, #16 AWG, 24" long are available.
- Approximate weight 4 lbs.

REGULATORY AGENCY APPROVALS



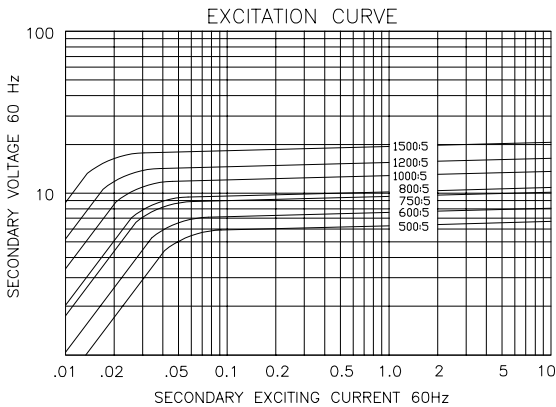
Manufactured to meet the requirements of ANSI/IEEE C57.13.
Classified by U.L. in accordance with IEC 44–1



NOTE:

Holes at the top of the transformer case can be used for attaching auxiliary device mounting plate (not supplied). If the application requires transformer mounted relays, etc., then transformer can be ordered with secondary leads configured in various ways (consult factory).

Originally designed for use with molded case circuit breakers and motor starters with 2.75" bus center lines.



CATALOG NUMBER	CURRENT RATIO	VA FOR 1% CLASS	ANSI METERING CLASS AT 60 Hz					SECONDARY WINDING RESISTANCE (OHMS @ 75°C.)
			B0.1	B0.2	B0.5	B0.9	B1.8	
3P85–501	500:5	5	0.6	1.2	–	–	–	0.064
3P85–601	600:5	10	0.6	0.6	1.2	–	–	0.077
3P85–751	750:5	10	0.6	0.6	1.2	–	–	0.096
3P85–801	800:5	10	0.6	0.6	1.2	–	–	0.103
3P85–102	1000:5	10	0.3	0.6	0.6	–	–	0.129
3P85–122	1200:5	10	0.3	0.6	0.6	–	–	0.154
* 3P85–152	1500:5	10	0.3	0.6	0.6	–	–	0.243

* RATING FACTOR 0.8