

CURRENT TRANSFORMER

Model 3P668
3P668L

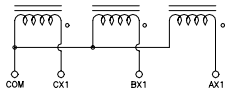
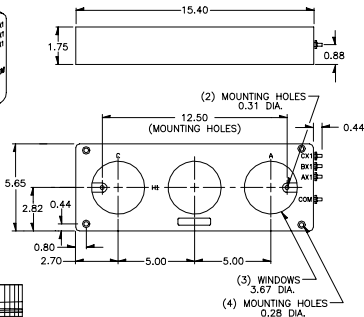
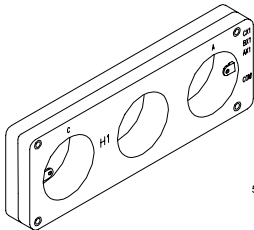
Window Diameter 3.66"

APPLICATION:
3 phase metering, and motor
overload protection.
FREQUENCY:
50-400 Hz.
INSULATION LEVEL:
600 Volt, 10 kV BIL full wave.
REGULATORY AGENCY APPROVALS

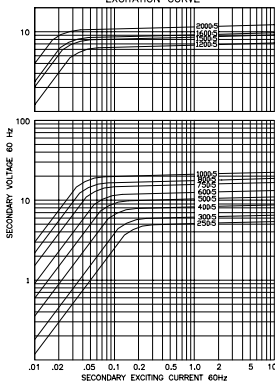


Manufactured to meet the requirements of ANSI/IEEE C57.13.
Classified by U.L. in accordance with IEC 44-1
Approved for revenue metering by industry Canada. No. AE-0636(*)

- Terminals are brass studs No.8-32 with one flatwasher, lockwasher and regular nut.
- Legds (4) are 12 gauge, 24" long.
- Approximate weight 7.5 lbs.



EXCITATION CURVE



**CATALOG NUMBER	CURRENT RATIO	ANSI METERING CLASS AT 60 Hz					SECONDARY WINDING RESISTANCE (OHMS @ 75°C.)
		B0.1	B0.2	B0.5	B0.9	B1.8	
3P668-251	250:5*	0.6	1.2	2.4	—	—	0.058
3P668-301	300:5*	0.6	0.6	1.2	2.4	—	0.070
3P668-401	400:5*	0.3	0.6	1.2	1.2	—	0.093
3P668-501	500:5*	0.3	0.3	0.6	1.2	—	0.116
3P668-601	600:5*	0.3	0.3	0.6	1.2	2.4	0.139
3P668-751	750:5*	0.3	0.3	0.3	0.6	1.2	0.175
3P668-801	800:5*	0.3	0.3	0.3	0.6	1.2	0.199
3P668-102	1000:5*	0.3	0.3	0.3	0.6	0.6	0.279
3P668-122	1200:5*	0.3	0.3	0.6	1.2	1.2	0.185
3P668-152	1500:5*	0.3	0.3	0.3	0.6	1.2	0.289
3P668-162	1600:5*	0.3	0.3	0.3	0.6	1.2	0.369
3P668-202	2000:5*	0.3	0.3	0.3	0.3	0.6	0.462

** FOR MODEL W/LEADS ADD "L" TO PREFIX.