



**FIBOX**

Enclosing innovations

**NEW**



**ARCA – Upgrade to  
the 21<sup>st</sup> Century**

## ARCA – Upgrade to the 21<sup>st</sup> Century

Fibox's new ARCA non-metallic enclosures provide users of classic electrical junction boxes an easy upgrade path to a high performance enclosure featuring 21<sup>st</sup> century technology. Precision, injection molded, ARCA enclosures feature superior chemical resistance and the wide temperature utilization range of polycarbonate plastic. Available in classic sizes, these enclosures feature industry standard dimensions and panels.



ARCA enclosures advance beyond tradition to meet and exceed the growing demands of 21<sup>st</sup> century applications. ARCA's rugged construction achieves a unique appearance without sacrificing robustness. The stylized cover features an overlapping design providing superior protection of the formed-in-place PUR gasket.

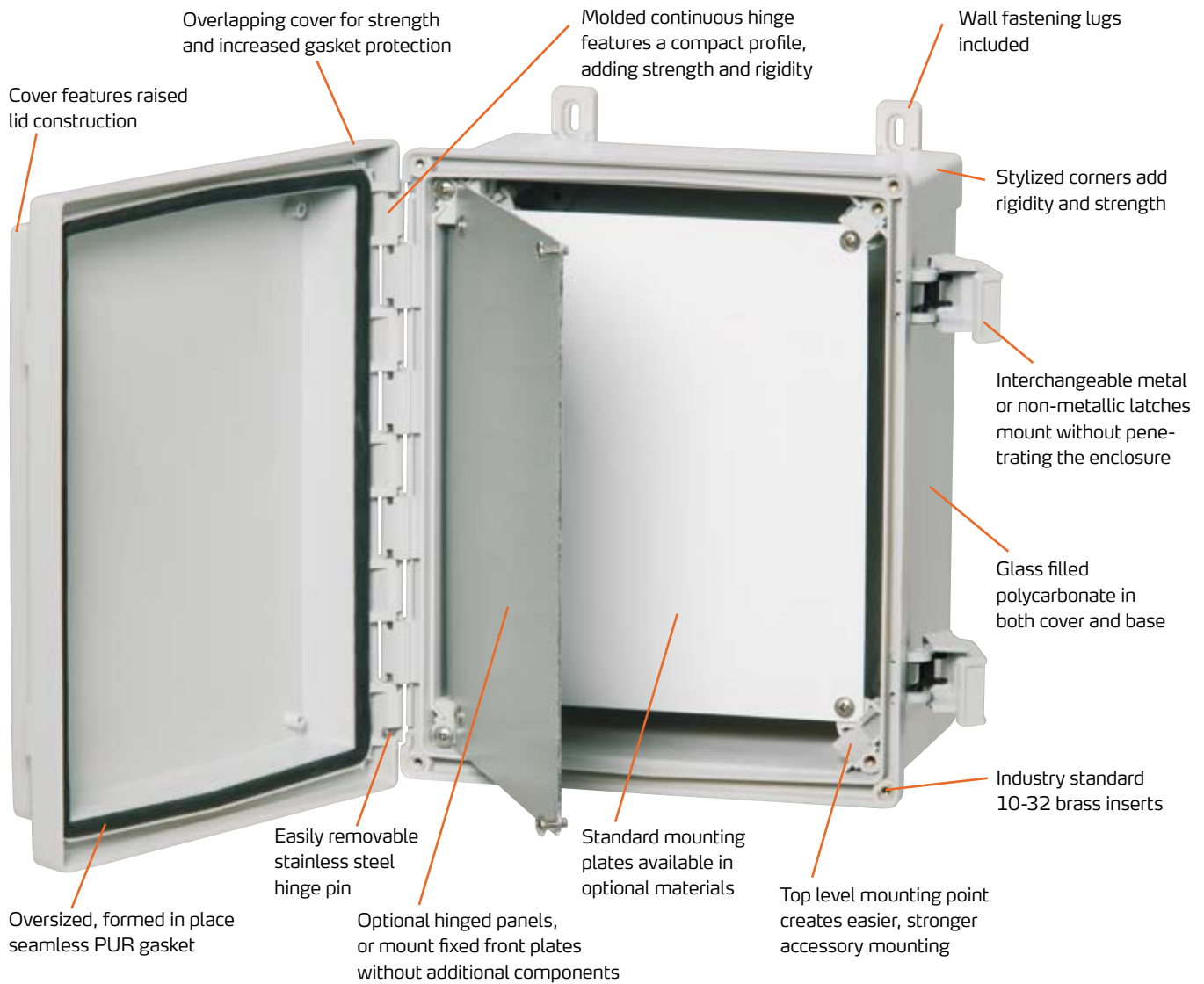
ARCA enclosures are available as a screw cover enclosure, a hinged screw cover enclosure, or a hinged enclosure with latches. Select from a variety of latch options. Complete ranges of mounting plates, fixed inner panels and hinged inner panels are available, in metal or non-metallic versions.

Selecting ARCA means access to state-of-the-art molding technology that provides the OEM the ability to customize his enclosure in ways not possible with older compression molding methods. By capitalizing on this new technology, Fibox continues to lower the volume entry point for customized molding.

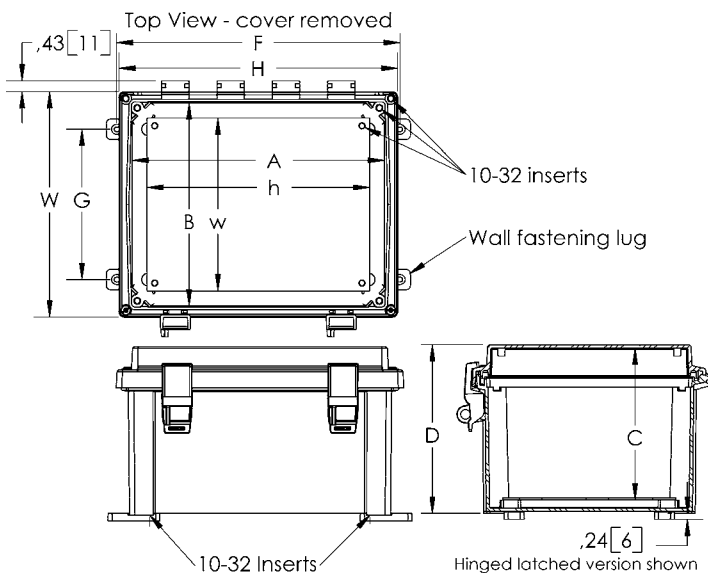
### ENCLOSURES

Screw Cover	Catalog Number		Enclosure Size A x B x C	Panel Catalog Number	Panel Size h x w	Enclosure Mounting F x G	Exterior Overall H x W x D
	Hinged Screw Cover	Hinged with Latch*					
AR664SC	AR664CHSC	AR664CHL	6.00 x 6.00 x 4.00 (152 x 152 x 102)	ABP66	4.9 x 4.9 (124 x 124)	6.7 x 4.0 (170 x 102)	7.6 x 7.4 x 4.7 (192 x 188 x 120)
AR865SC	AR865CHSC	AR865CHL	8.00 x 6.00 x 5.00 (203 x 152 x 127)	ABP86	6.7 x 4.9 (171 x 124)	8.7 x 4.0 (220 x 102)	9.5 x 7.4 x 5.7 (242 x 189 x 145)
AR1086SC	AR1086CHSC	AR1086CHL	10.00 x 8.00 x 6.00 (254 x 203 x 152)	ABP108	8.9 x 6.9 (225 x 175)	10.7 x 6.0 (271 x 152)	11.5 x 9.3 x 6.7 (291 x 237 x 171)
AR12106SC	AR12106CHSC	AR12106CHL	12.00 x 10.00 x 6.00 (305 x 254 x 152)	ABP1210	10.8 x 8.9 (275 x 225)	12.7 x 8.0 (322 x 203)	13.5 x 11.4 x 6.7 (342 x 289 x 171)
AR14127SC	AR14127CHSC	AR14127CHL	14.00 x 12.00 x 7.00 (356 x 305 x 178)	ABP1412	12.8 x 10.8 (324 x 275)	14.8 x 10.0 (375 x 254)	15.5 x 13.3 x 7.7 (393 x 339 x 196)

\* Stainless Steel latch options available – non-metallic latch depicted



## DRAWINGS



## TECHNICAL INFORMATION

### PROPERTY

Environmental ingress	UL Type 4, 4X, 6, 6P, 12 and 13
Impact resistance	Impact rating per UL 508/UL 50
NRTL Listing	Underwriters Laboratories UL, cUL Listed under UL 508
Temperature Range: °Celsius	-40° . . +140°C
Short term °Fahrenheit	-40° . . +284°F
Temperature Range: °Celsius	-40° . . +80°C
Long term °Fahrenheit	-40° . . +175°F
Electrical insulation	Totally insulated
Color	RAL 7035 - Light gray
Cover screws and hardware	10-32, stainless steel
Accessory mounting screws	10-32, stainless steel
Gasket	Formed in place polyurethane (PUR)
Flammability rating	Enclosure flammability rating per UL 508
Toxicity	Non-Toxic, halogen free, RoHS compliant

Data subject to change without notice.

## Fibox Enclosures

Fibox, a privately owned Finnish company, is one of the largest enclosure manufacturers in the world, and is the market leader in thermoplastic enclosures used for protecting electrical and electronic components operating in hostile environments. Fibox enclosures are manufactured in modern factories located in Finland, Germany, China and Republic of Korea.

**Fibox Inc.**  
810 Cromwell Park Drive  
Suite R  
Glen Burnie, MD 21061

Tel (+1) 410 760 9696  
Toll-free USA 1 888 342 6987  
Fax (+1) 410 760 8686  
E-mail [sales@fiboxusa.com](mailto:sales@fiboxusa.com)

[www.fiboxusa.com](http://www.fiboxusa.com)

### ABOUT FIBOX

#### 1000 CHOICES TO MEET YOUR DEMANDING ENVIRONMENTS

The Fibox range of standard enclosures provides the designer with over 1000 choices for packaging electrical and electronics equipment operating in hostile environments. Fibox enclosures comply with UL 50/508 and EN 60529. Most of our enclosures have achieved Type ratings of NEMA 4X, 6 and 6P, and Ingress ratings of IP 66/IP 67. Enclosure performance is verified by independent laboratory testing and on-going monitoring of production. Fibox brand accessories make our enclosures more functional and are easy to use. Standard solutions exist for panel management, hinged inner doors, and air ventilation.

#### CUSTOMIZED ENCLOSURES TO EXPAND YOUR OPTIONS

To increase the range and flexibility of our packaging solutions, Fibox has developed a comprehensive range of services, permitting cost effective customization for specific applications. The two most important of these are machining services and customized tooling. Our advanced CNC machinery can supply enclosures with holes, cutouts and openings to your specification. For large OEM volumes, our sophisticated, multiple slide tooling permits cost effective modification of any side of the enclosure. CAD drawings of standard enclosures are available at [www.fiboxusa.com](http://www.fiboxusa.com) to aid the engineer in creating the most cost effective customization.