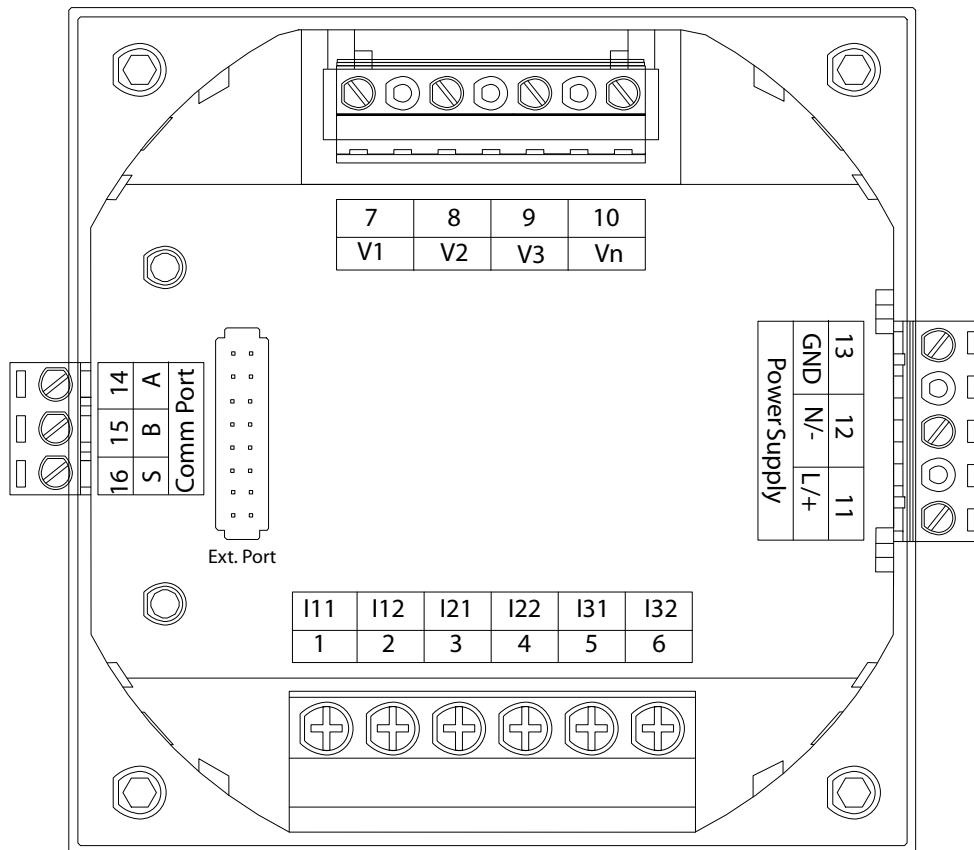


Acuvim II -- Acuvim IIR Intelligent Power Meter

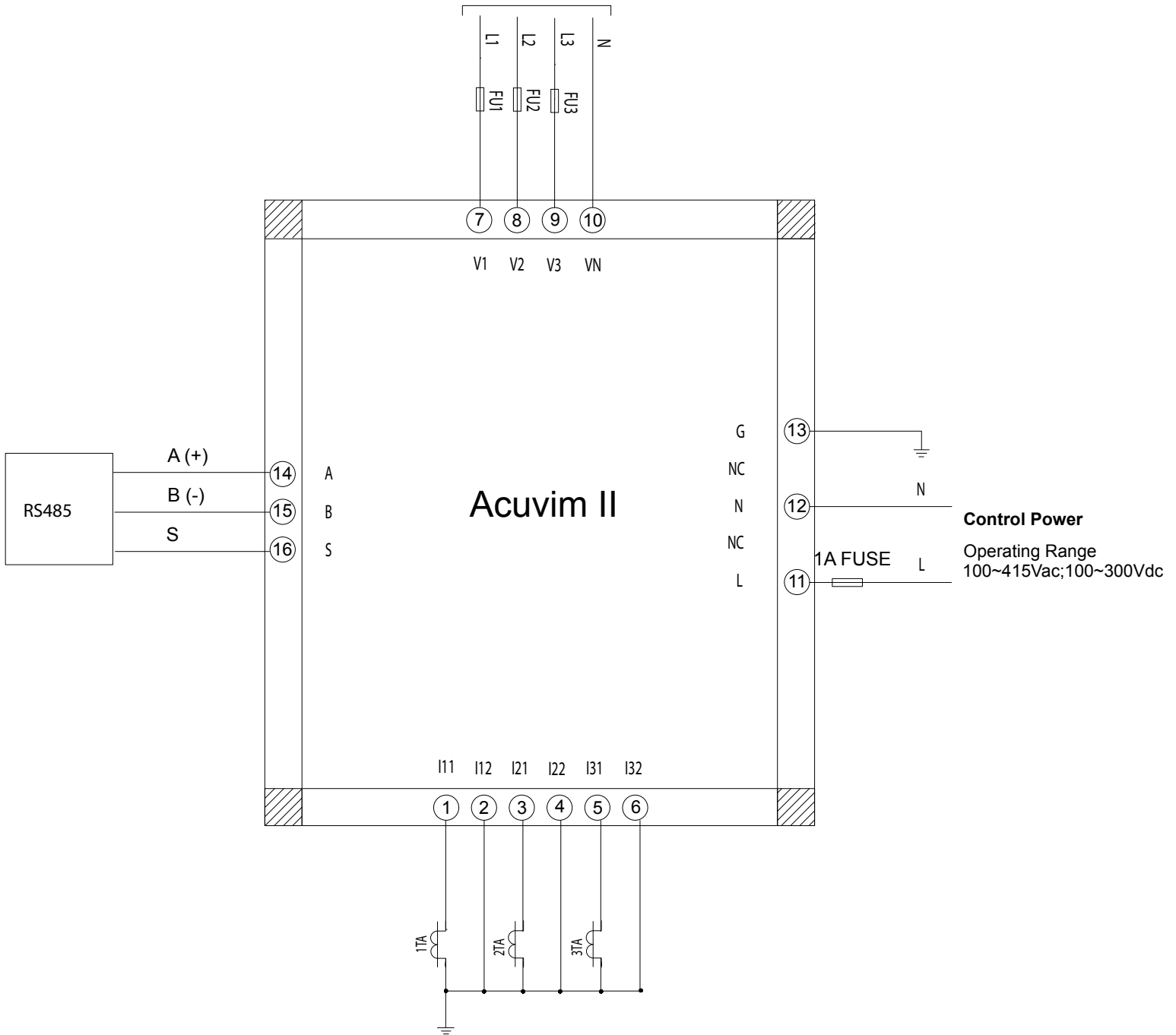


- Connections
- Rear Pinout
- Meter Wiring
- Module Wiring
- Meter Dimensions
- Module Dimensions
- Cutout Dimensions

Rear Pinout

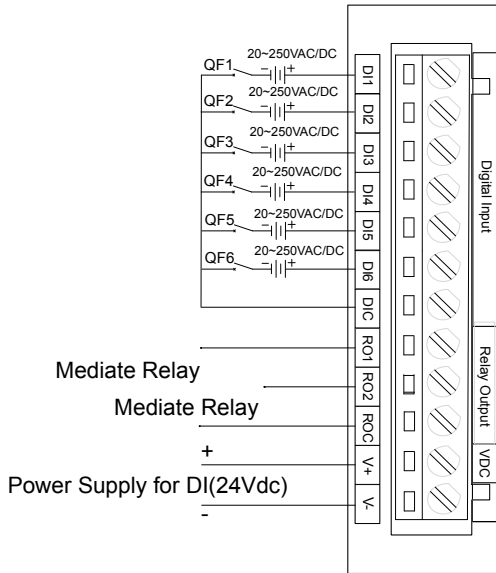


Meter Wiring

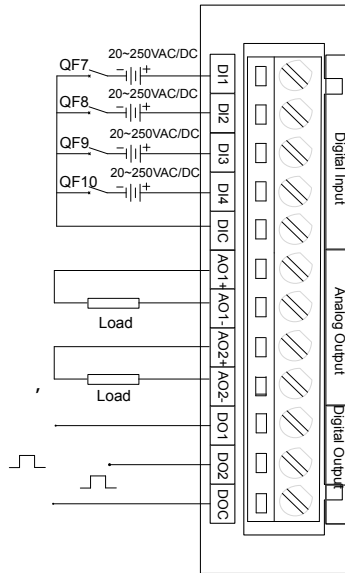


Module Wiring

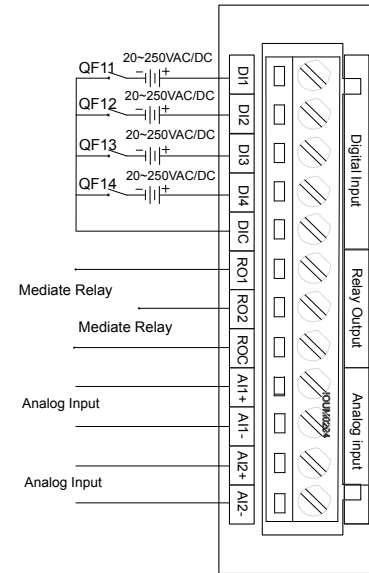
AXM-IO1



AXM-IO2



AXM-IO3



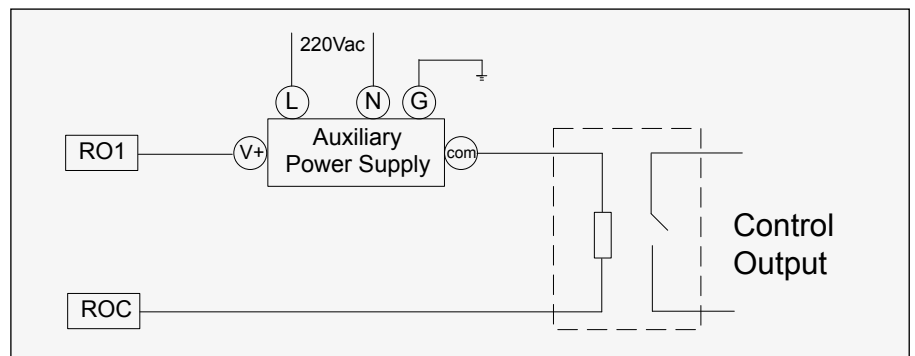
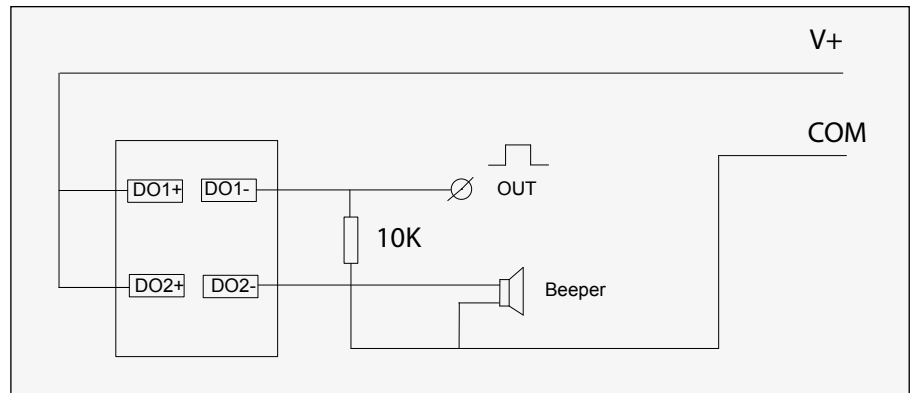
Power Supply for DI

Output Voltage
20~250VAC/DC

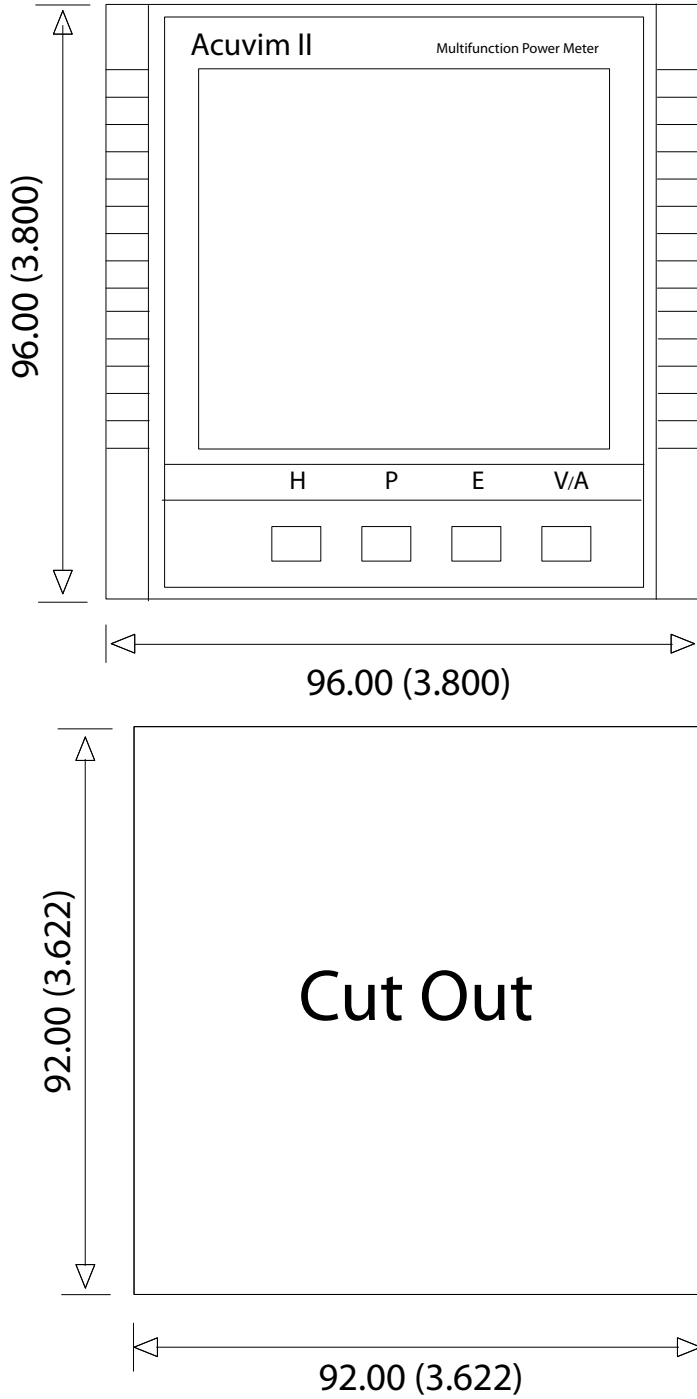
RO

Switching Voltage
250Vac/5A 30Vdc/5A

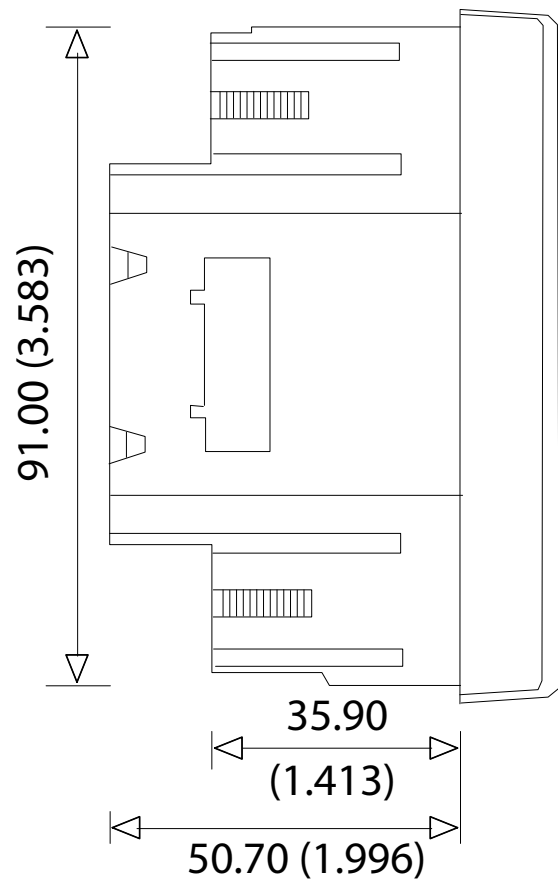
Mediate Relay is Recommended



Meter Dimensions



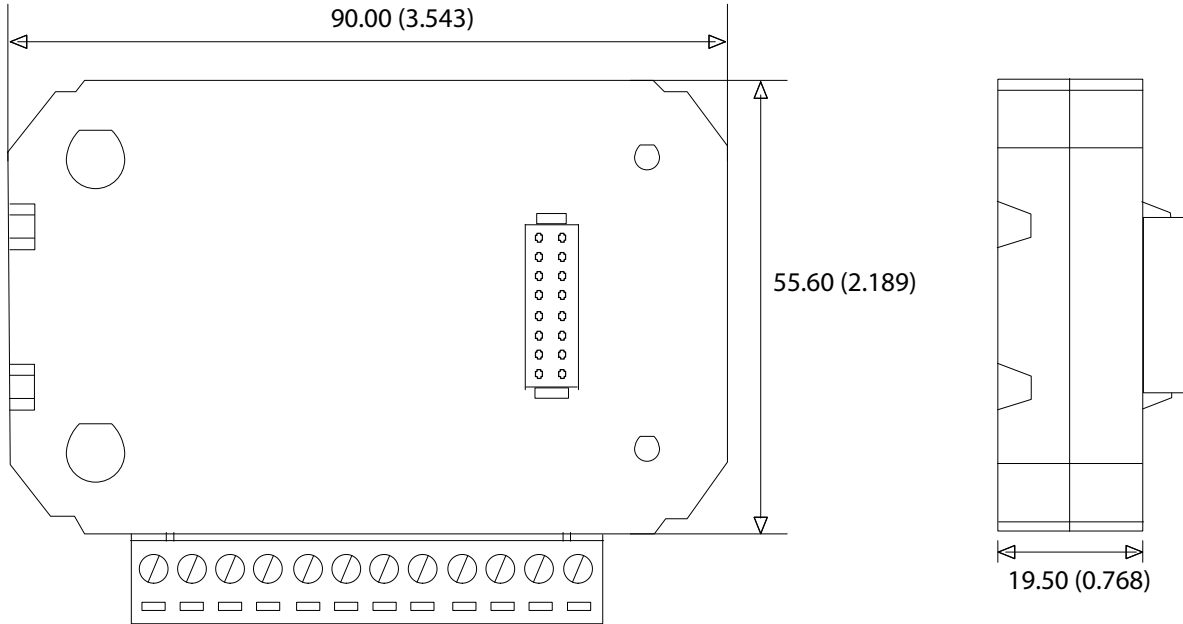
Unit: mm (inches)



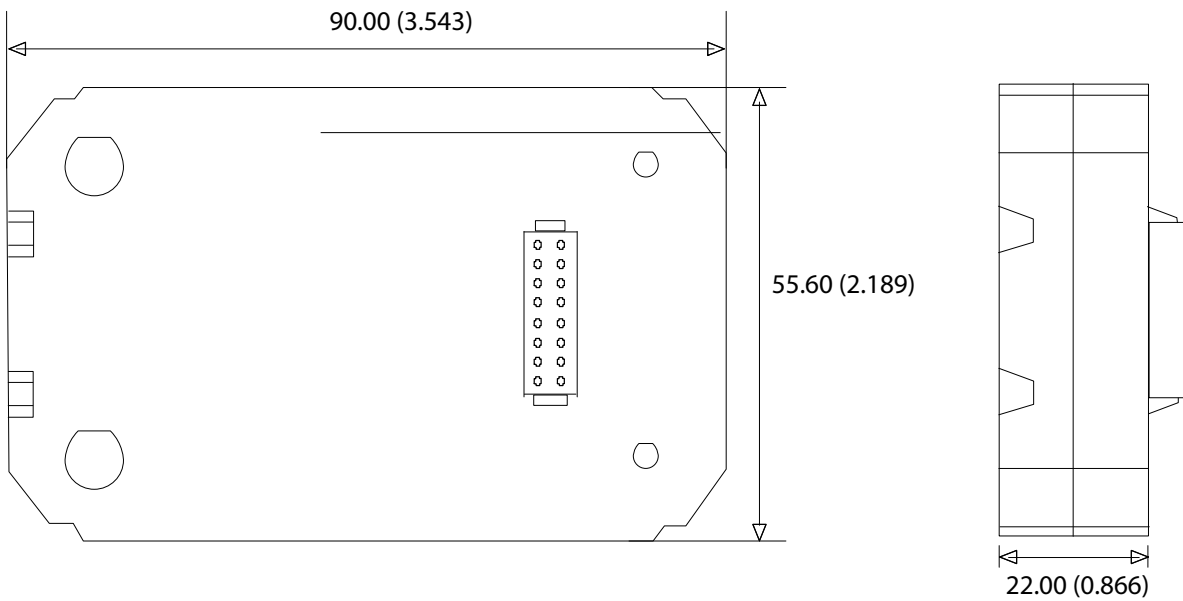
Module Dimensions

IO Module Dimensions

Unit: mm (inches)



Communication Module dimensions



Cutout Dimensions

